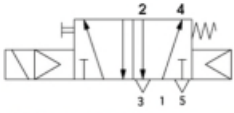
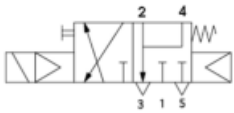


V-Series Namur Solenoid Valves 3/2 & 5/2

Type:	V523232E4-08MR 5/2
Symbol:	
Type:	V523232E4-08MR 3/2
Symbol:	



Ordering information

V	5232	3	1	E2	08	MR	Control type
V-Series	5/2 = 3/2	3: 3/8" body	1 = Single control 2 = Double control	E1= 110 AC E2= 220 AC E3= 380 AC E4= 24 DC E5= 12 DC E7= 24 AC E8= 110 DC E9= 48 DC	Port size 08= 1/4"	MR: Standard Namur Valve MG: New Style Namur Valve	Blank = NC H= NO
5232: 5/2 way exchangeable with 3/2 way							

Product features:

- Life cycle; guaranteed 20 million cycles under normal working conditions at 40µ filtration
- Different surface treatment, thread types BSPP, BSPT, NPT are available

SPECIFICATIONS

Model N°	V5232231E2-08MG	V5232232E2-08MG
Working medium	Clean air 40µ filtration	
Acting Type	Pilot type	
Flow (NI/min)	5/2 way = 1830 L/min	3/2 way = 1090 L/min
Port size	In = Exhaust = G1/4"	
Lubrication	Not required	
Working Pressure	Min. 1.5 – Max. 8	
Guaranteed Pressure	12 Bar	
Working Temp. (C°)	Min -5 C°, Max. 60 C°	
Voltage Range	-15% +10%	
Power consumption	AC= 5.0VA, DC= 3 W	
Insulation Class	Class F	
Protective class	IP65 (DIN40050)	
Max. Acting frequency	4 cycles/s	
Activation time (S)	<0.05	
Weight (g)	340	460
Accessories	1 pc D20x16 O-Ring, 1pc position seal plate, 2pcs M5x30 mounting bolts	

V-Series Namur Solenoid Valves 3/2 & 5/2

1. The O-Ring and position seal plate should be put into the valve body when you open packaging. If it's loose, just place them onto the body according to the position.

2. The silencers are mounted onto the valve according to requests

If you need to mount separately, just mount on the port 3 and port 5

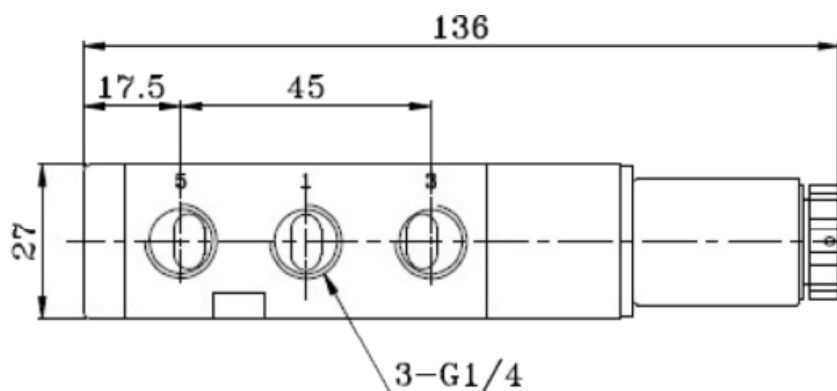
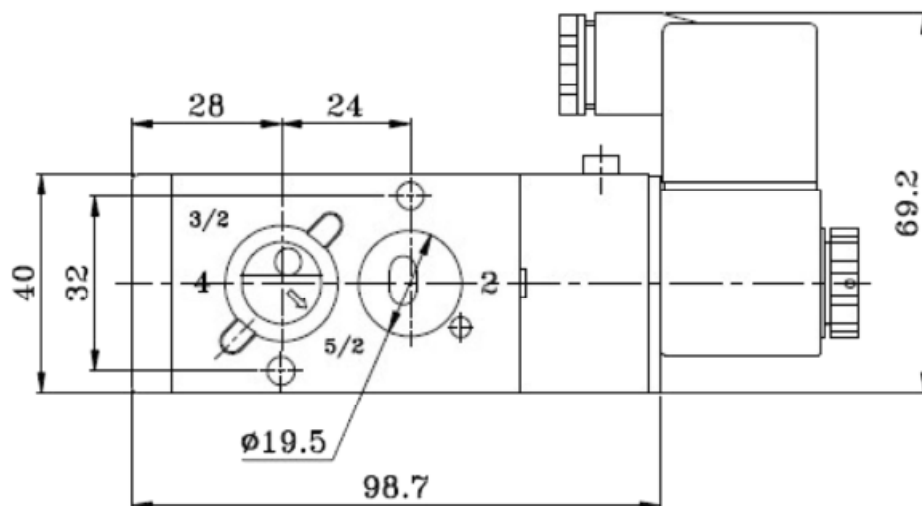
3. There're marking "3/2" and "5/2", when you see the mark direction to "3/2", then it's 3/2 way; and when you see the mark direction to "5/2", then it's 5/2 way

4. Choose the right function for valve, and select corresponding label (5/2 or 3/2) to paste on the valve

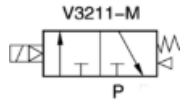
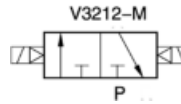
5. If all above are ready, put the valve onto the actuator. Pay attention to the ports and mounting position for better sealing, mount the valve with two M5X30 bolts, tighten to seal.

6. Now the actuator is ready to use

Dimensions 5/2 and 3/2



V-Series Namur Solenoid Valves 3/2

Type:	V3211-M
Symbol:	
Type:	V3212-M
Symbol:	



Ordering information

V	3	2	1	1	E2	06	Connector	Control type
V-Series	3= 3 ports	2 positions	1 = 1/8" body	1 = Single control 2 = Double control	E1= 110 AC E2= 220 AC E3= 380 AC E4= 24 DC E5= 12 DC E7= 24AC E8= 110 DC E9= 48 DC	Port size M5= M5 06= 1/8"	Blank = DIN F= Flying leads	Blank = NC H= NO

Example:

V series, solenoid valve, 3 port, 2 positions, 1/8" valve body, single control, 220VAC, 1/8" port size, DIN Connector, normally closed = V3211E2-06M

Product features:

- Life cycle; guaranteed 20 million cycles under normal working conditions at 40µ filtration
- Different surface treatment, thread types as BSPP, BSPT, NPT are available

SPECIFICATIONS

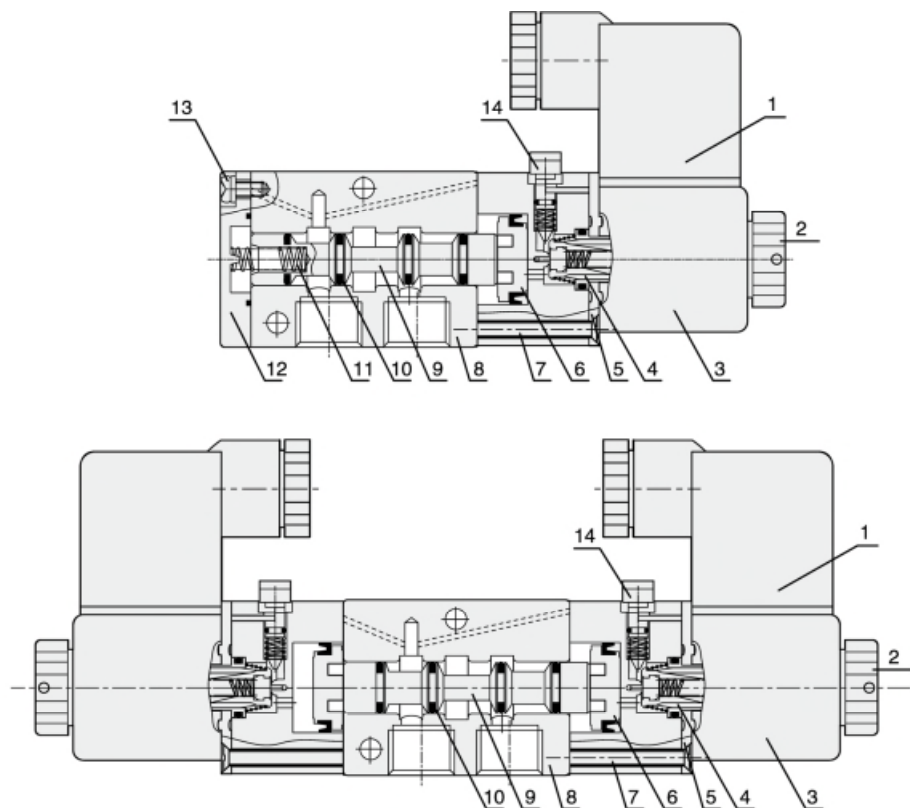
Model N°	V3211-M5M	V3212-M5M	V3211-06M	V3212-06M
Working medium	Clean air 40µ filtration			
Acting Type	Pilot Operated			
Flow (NI/min)	M5= 300		06= 660	
Port size	M5= In/Out Exhaust= G1/8"		06: G1/8"= In/Out/Exhaust	
Lubrication	Not required			
Working Pressure	Min. 1.5 – Max. 8			
Guaranteed Pressure	12 Bar			
Working Temp. (C°)	Min -5 C°, Max. 60 C°			
Voltage Range	-15% +10%			
Power consumption	AC= 3.0VA, DC= 2.8 W			
Insulation Class	Class F			
Protective class	IP65 (DIN40050)			
Max. Acting frequency	4 cycles/s			
Activation time (S)	<0.05			
Weight (g)	114	171	114	171

V-Series Solenoid Valves 3/2

Internal Structure

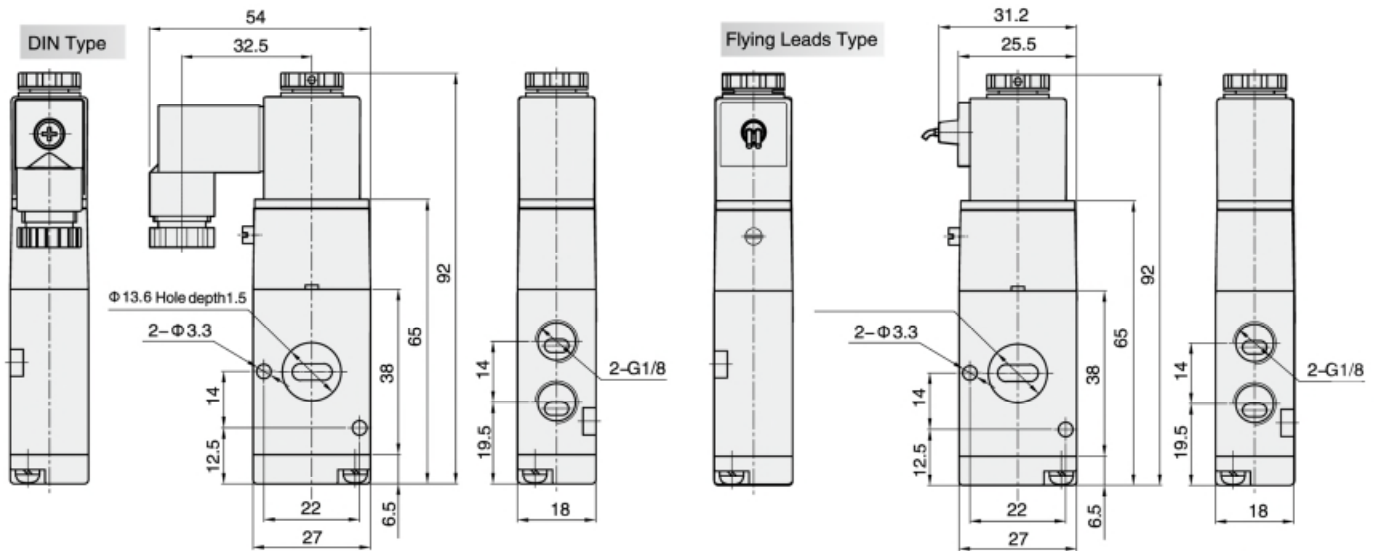
Main Parts Material

Part name	Material	N°	Description
Valve body	Aluminum alloy	1	Connector
Spool	Aluminum alloy	2	Nut
Manual override O-ring	NBR	3	Coil
Connector washer	NBR	4	Pilot units
Spool O-ring	HNBR	5	Plate
Seal	NBR	6	Piston
Piston	POM	7	Screw
Manual override	Plastic	8	Valve body
Plate	Steel	9	Spool
Nut	POM + Carbon steel	10	O-ring
Rear cover	Zink alloy	11	Spring
Manual override spring	Stainless steel	12	Rear cover
Spool spring	Stainless steel	13	Screw
Screw	Steel	14	Manual override
Pilot unit	Pure steel + Cu + Stainless steel		
Connector	Engineered plastic		

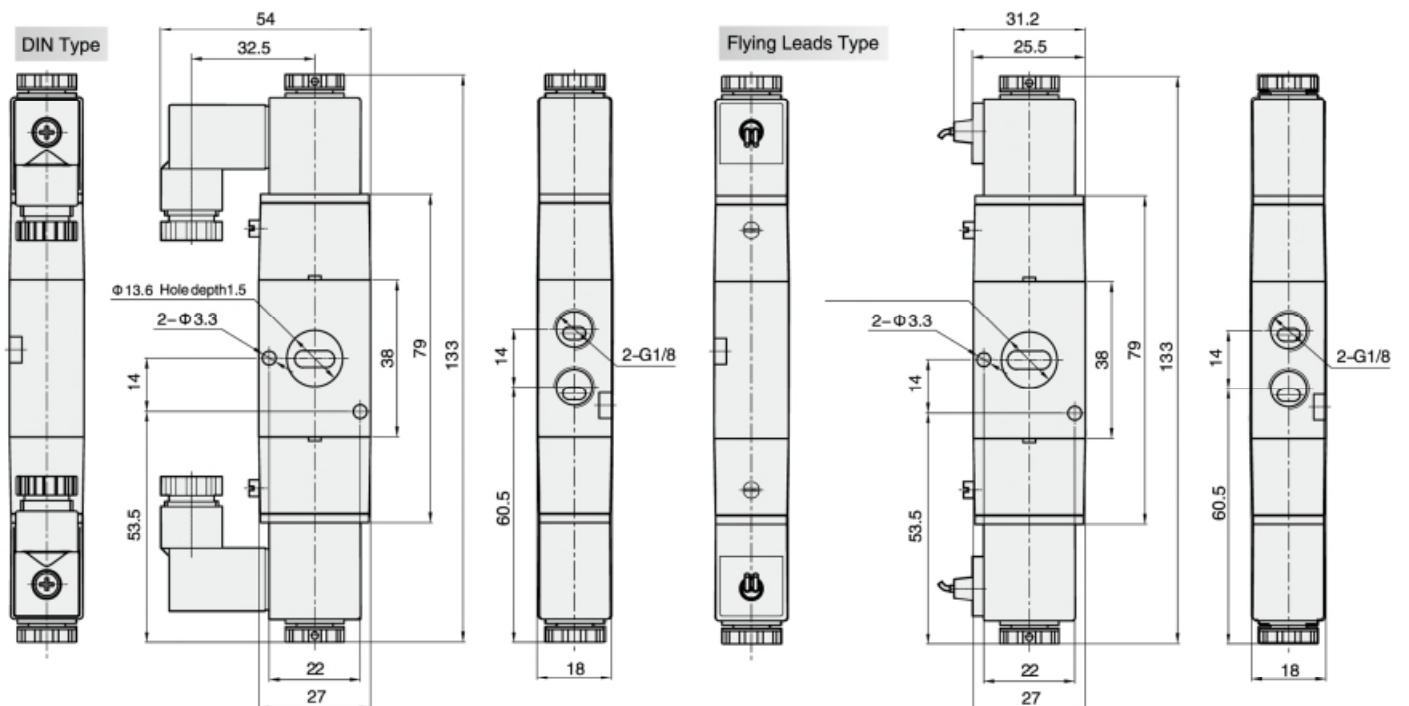


V-Series Solenoid Valves 3/2

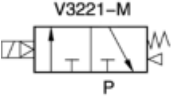
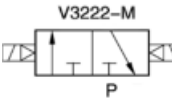
V3211-06M



VP3212-6M



V-Series Namur Solenoid Valves 3/2

Type:	V3221-M
Symbol:	
Type:	V3222-M
Symbol:	



Ordering information

V	3	2	2	1	E2	10	Connector	M
V-Series	3= 5 ports	2 positions	1/4" valve body	1= single acting 2= double acting	E1= 110 AC E2= 220 AC E3= 380 AC E4= 24 DC E5= 12 DC E7= 24AC E8= 110 DC E9= 48 DC	Port Size 06= G1/8" 08= G1/4"	DIN F= Flying leads	Namur Valves

Example:

V series, Namur, solenoid valve, 3 port, 2 positions, 1/4" valve body, single acting, 110VAC, 1/8" port size, DIN coil = V3221E1-06M

Product features:

- Life cycle; guaranteed 20 million cycles under normal working conditions at 40µ filtration
- Different surface treatment, thread types as BSPP, BSPT, NPT are available
-

SPECIFICATIONS

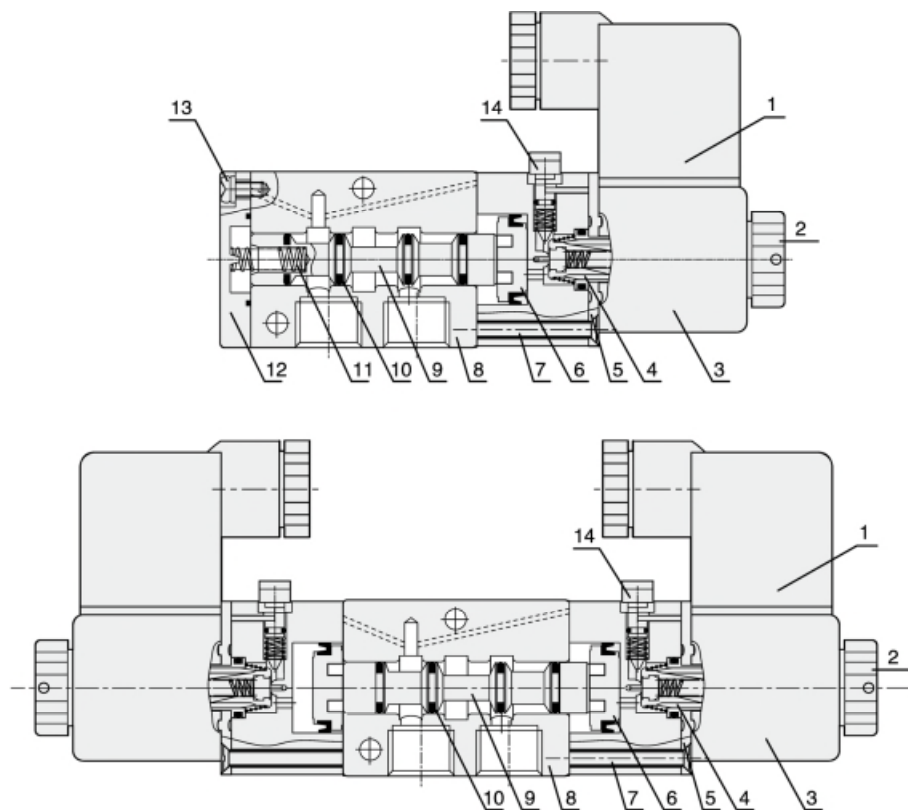
Model N°	V3221-06M	V3222-06M	V3221-08M	V3222-08M
Working medium	Clean air 40µ filtration			
Acting Type	Pilot Operated			
Flow (NI/min)	765		875	
Port size	06: G1/8"= In/Out/Exhaust		08: G1/8"= In/Out G1/4= Exhaust	
Lubrication	Not required			
Working Pressure	Min. 1.5 – Max. 8			
Guaranteed Pressure	12 Bar			
Working Temp. (C°)	Min -5 C°, Max. 60 C°			
Voltage Range	-15% +10%			
Power consumption	AC= 5.5VA, DC= 4.8 W			
Insulation Class	Class F			
Protective class	IP65 (DIN40050)			
Max. Acting frequency	4 cycles/s			
Activation time (S)	<0.05			
Weight (g)	203	310	203	310

Namur V-Series Solenoid Valves 3/2

Internal Structure

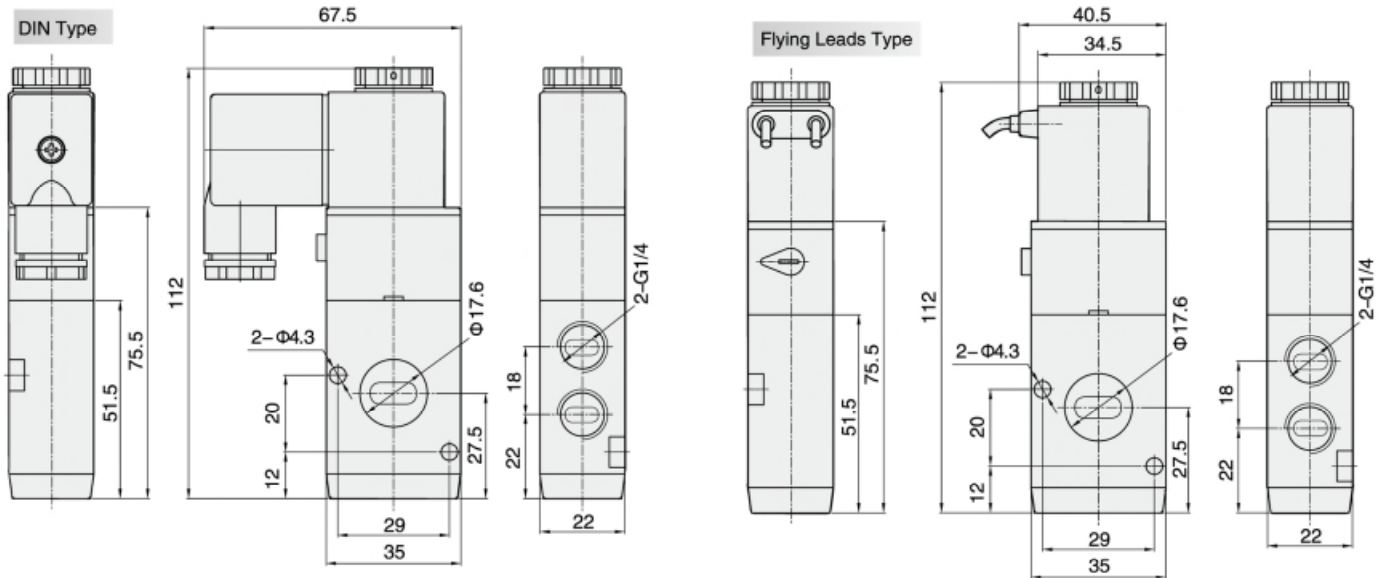
Main Parts Material

Part name	Material	N°	Description
Valve body	Aluminum alloy	1	Connector
Spool	Aluminum alloy	2	Nut
Manual override O-ring	NBR	3	Coil
Connector washer	NBR	4	Pilot units
Spool O-ring	HNBR	5	Plate
Seal	NBR	6	Piston
Piston	POM	7	Screw
Manual override	Plastic	8	Valve body
Plate	Steel	9	Spool
Nut	POM + Carbon steel	10	O-ring
Rear cover	Zink alloy	11	Spring
Manual override spring	Stainless steel	12	Rear cover
Spool spring	Stainless steel	13	Screw
Screw	Steel	14	Manual override
Pilot unit	Pure steel + Cu + Stainless steel		
Connector	Engineered plastic		

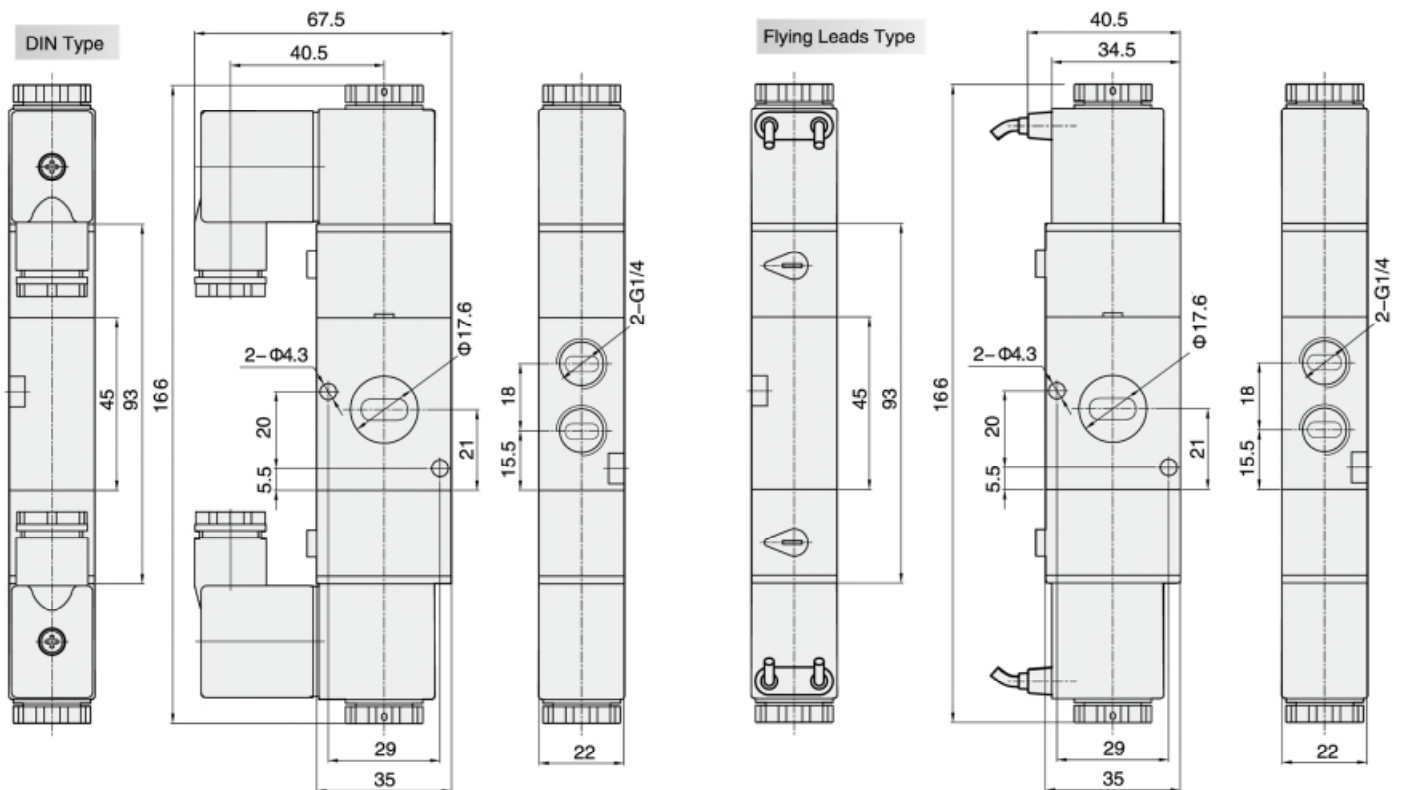


Namur V-Series Solenoid Valves 3/2

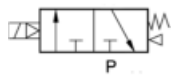
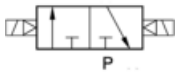
V3221-08M



V3222-08M



V-Series Namur Solenoid Valves 3/2

Type:	V3231-M
Symbol:	
Type:	V3232-M
Symbol:	



Ordering information

V	3	2	3	1	E2	10	Connector	M
V-Series	3= 5 ports	2 positions	3/8" valve body	1= single acting 2= double acting	E1= 110 AC E2= 220 AC E3= 380 AC E4= 24 DC E5= 12 DC E7= 24AC E8= 110 DC E9= 48 DC	Port size 08= G1/4" 10= G3/8"	DIN F= Flying leads	Namur Valves

Example:

V series, Namur, solenoid valve, 3 port, 2 positions, 3/8" valve body, single acting, 110VAC, 3/8" port size, DIN coil = V3231E1-10M

Product features:

- Life cycle; guaranteed 20 million cycles under normal working conditions at 40µ filtration
- Different surface treatment, thread types as BSPP, BSPT, NPT are available

SPECIFICATIONS

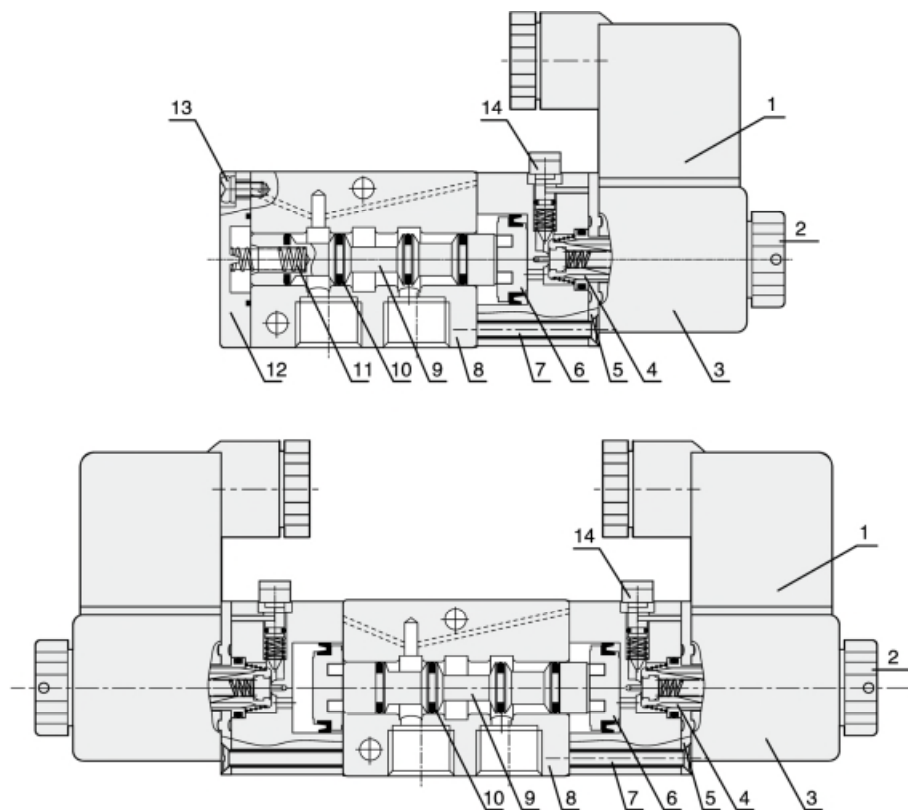
Model N°	V3231-08M	V3232-08M	V3231-10M	V3232-10M
Working medium	Clean air 40µ filtration			
Acting Type	Pilot Operated			
Flow (NI/min)	1375		1650	
Port size	08: G1/4"= In/Out/Exhaust		10: G1/4"= In/Out G3/8"= Exhaust	
Lubrication	Not required			
Working Pressure	Min. 1.5 – Max. 8			
Guaranteed Pressure	12 Bar			
Working Temp. (C°)	Min -5 C°, Max. 60 C°			
Voltage Range	-15% +10%			
Power consumption	AC= 5.5VA, DC= 4.8 W			
Insulation Class	Class F			
Protective class	IP65 (DIN40050)			
Max. Acting frequency	4 cycles/s			
Activation time (S)	<0.05			
Weight (g)	2950	403	295	403

Namur V-Series Solenoid Valves 3/2

Internal Structure

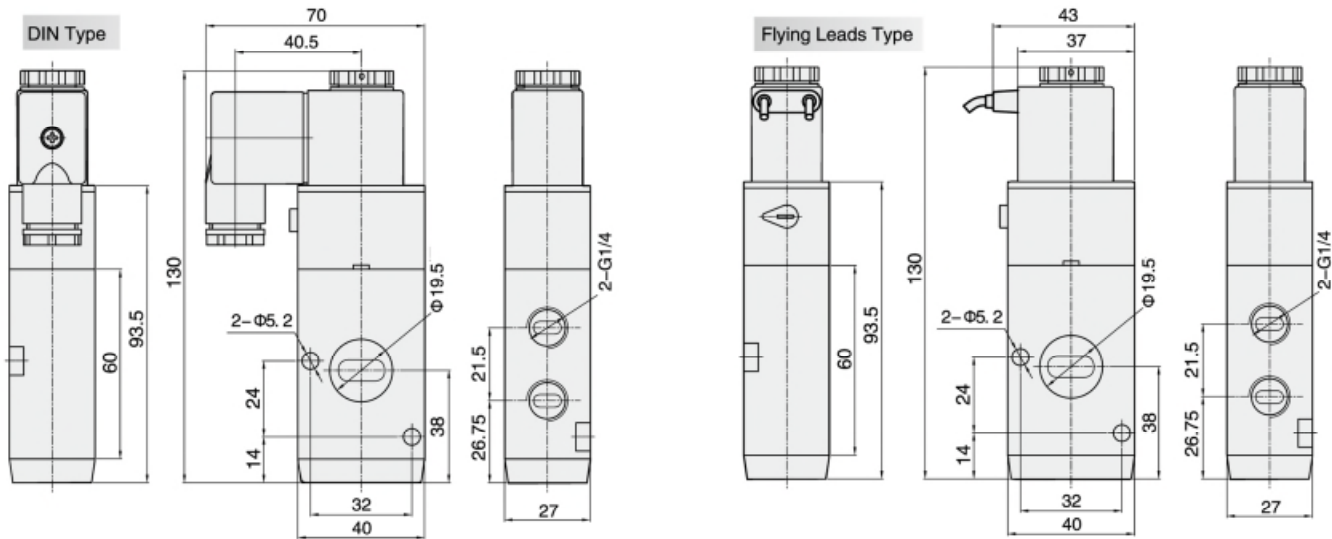
Main Parts Material

Part name	Material	N°	Description
Valve body	Aluminum alloy	1	Connector
Spool	Aluminum alloy	2	Nut
Manual override O-ring	NBR	3	Coil
Connector washer	NBR	4	Pilot units
Spool O-ring	HNBR	5	Plate
Seal	NBR	6	Piston
Piston	POM	7	Screw
Manual override	Plastic	8	Valve body
Plate	Steel	9	Spool
Nut	POM + Carbon steel	10	O-ring
Rear cover	Zink alloy	11	Spring
Manual override spring	Stainless steel	12	Rear cover
Spool spring	Stainless steel	13	Screw
Screw	Steel	14	Manual override
Pilot unit	Pure steel + Cu + Stainless steel		
Connector	Engineered plastic		

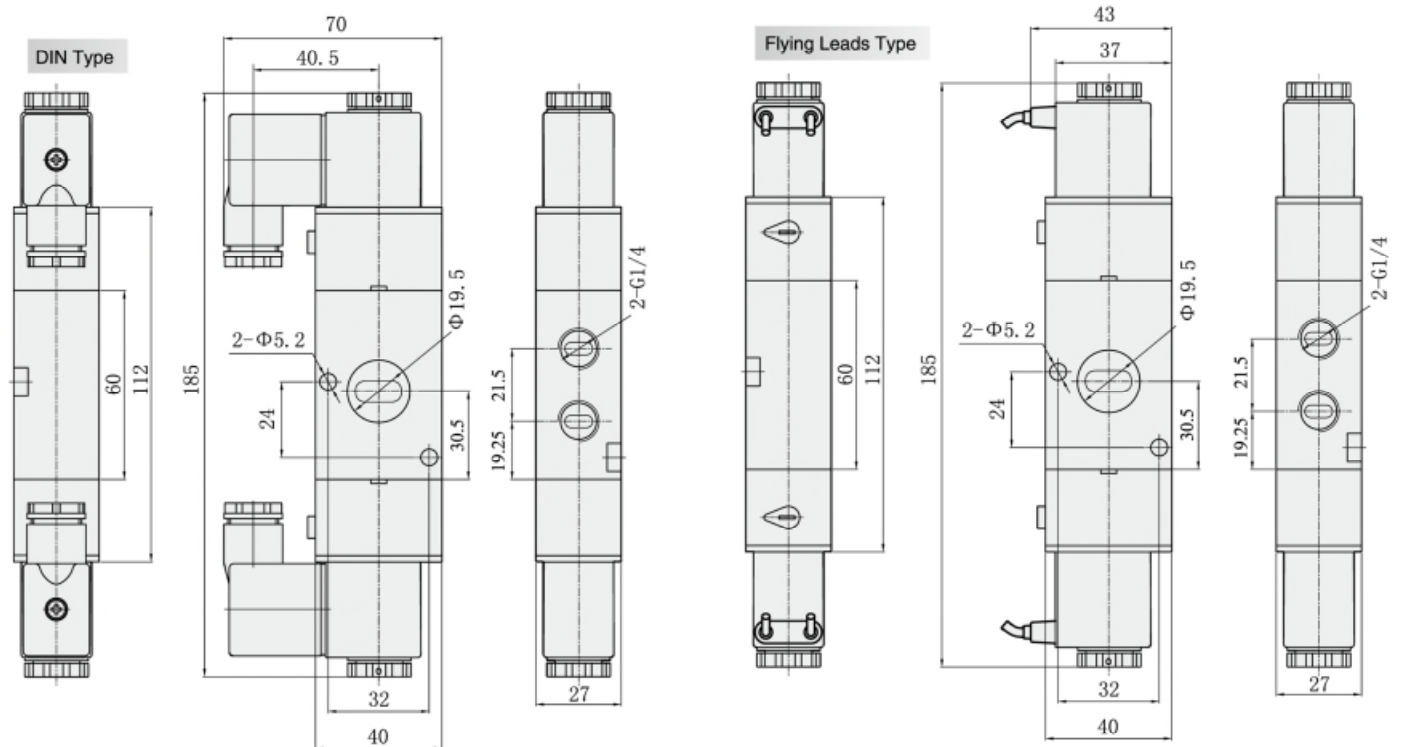


Namur V-Series Solenoid Valves 3/2

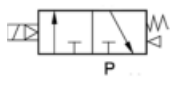

V3231



V3232



V-Series Namur Solenoid Valves 3/2

Type:	V3241-M
Symbol:	
Type:	V3242-M
Symbol:	



Ordering information

V	3	2	4	1	E2	10	Connector	M
V-Series	3= 5 ports	2 positions	1/2" valve body	1= single acting 2= double acting	E1= 110 AC E2= 220 AC E3= 380 AC E4= 24 DC E5= 12 DC E7= 24AC E8= 110 DC E9= 48 DC	Port size 10= G3/8" 15= G1/2"	DIN F= Flying leads	Namur Valves

Example:

V series, Namur, solenoid valve, 3 port, 2 positions, 1/2" valve body, single acting, 110VAC, 1/2" port size, DIN coil = V3241E1-15M

Product features:

- Life cycle; guaranteed 20 million cycles under normal working conditions at 40µ filtration
- Different surface treatment, thread types as BSPP, BSPT, NPT are available

SPECIFICATIONS

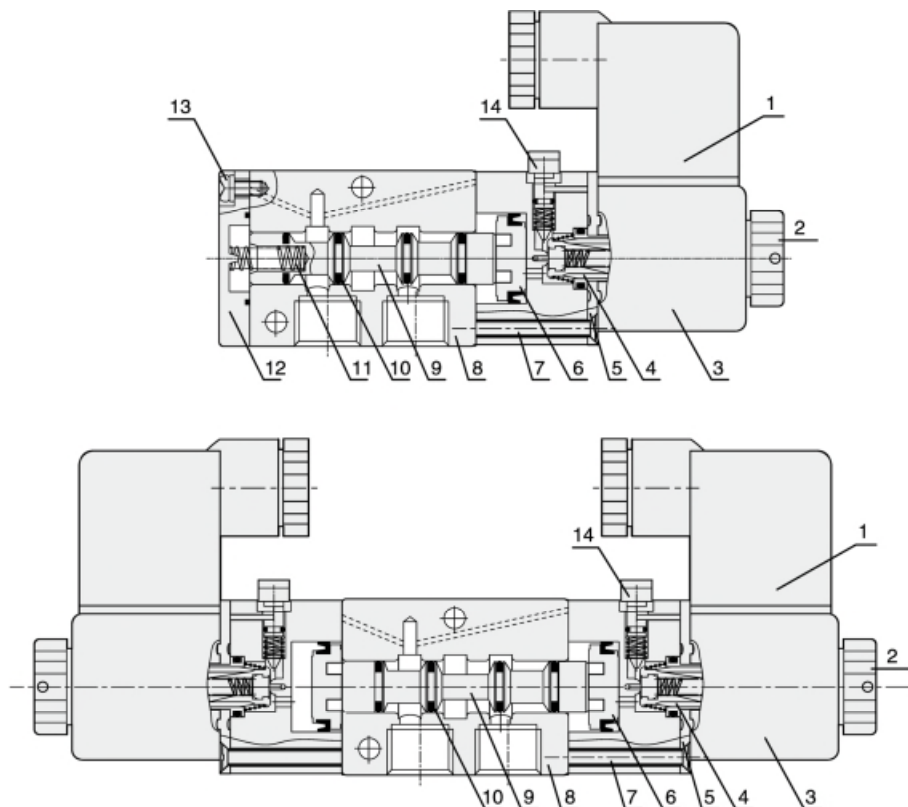
Model N°	V3241-10M	V3242-10M	V3241-15M	V3242-15M
Working medium	Clean air 40µ filtration			
Acting Type	Pilot Operated			
Flow (NI/min)	2950		4900	
Port size	In= G1/2" , Exhaust= G3/8"		10: G1/4"= In/Out G3/8"= Exhaust	
Lubrication	Not required			
Working Pressure	Min. 1.5 – Max. 8			
Guaranteed Pressure	12 Bar			
Working Temp. (C°)	Min -5 C°, Max. 60 C°			
Voltage Range	-15% +10%			
Power consumption	AC= 5.5VA, DC= 4.8 W			
Insulation Class	Class F			
Protective class	IP65 (DIN40050)			
Max. Acting frequency	4 cycles/s			
Activation time (S)	<0.05			
Weight (g)	448	578	448	578

Namur V-Series Solenoid Valves 3/2

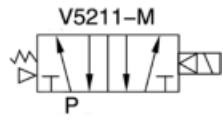
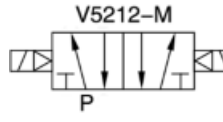
Internal Structure

Main Parts Material

Part name	Material	N°	Description
Valve body	Aluminum alloy	1	Connector
Spool	Aluminum alloy	2	Nut
Manual override O-ring	NBR	3	Coil
Connector washer	NBR	4	Pilot units
Spool O-ring	HNBR	5	Plate
Seal	NBR	6	Piston
Piston	POM	7	Screw
Manual override	Plastic	8	Valve body
Plate	Steel	9	Spool
Nut	POM + Carbon steel	10	O-ring
Rear cover	Zink alloy	11	Spring
Manual override spring	Stainless steel	12	Rear cover
Spool spring	Stainless steel	13	Screw
Screw	Steel	14	Manual override
Pilot unit	Pure steel + Cu + Stainless steel		
Connector	Engineered plastic		



V-Series Namur Solenoid Valves 5/2

Type:	V5211-M
Symbol:	
Type:	V5212-M
Symbol:	



Ordering information

V	5	2	1	1	E2	10	Connector	M
V-Series	5= 5 ports	2 positions	1/8" valve body	1= single acting 2= double acting	E1= 110 AC E2= 220 AC E3= 380 AC E4 = 24 DC E5= 12 DC E7= 24AC E8= 110 DC E9= 48 DC	Port size M5= M5 06= 1/8	DIN F= Flying leads	Namur Valves

Example:

V series, Namur, solenoid valve, 5 port, 2 positions, 1/8" valve body, single acting, 110VAC, 1/8" port size, DIN coil = V5211E1-06M

Product features:

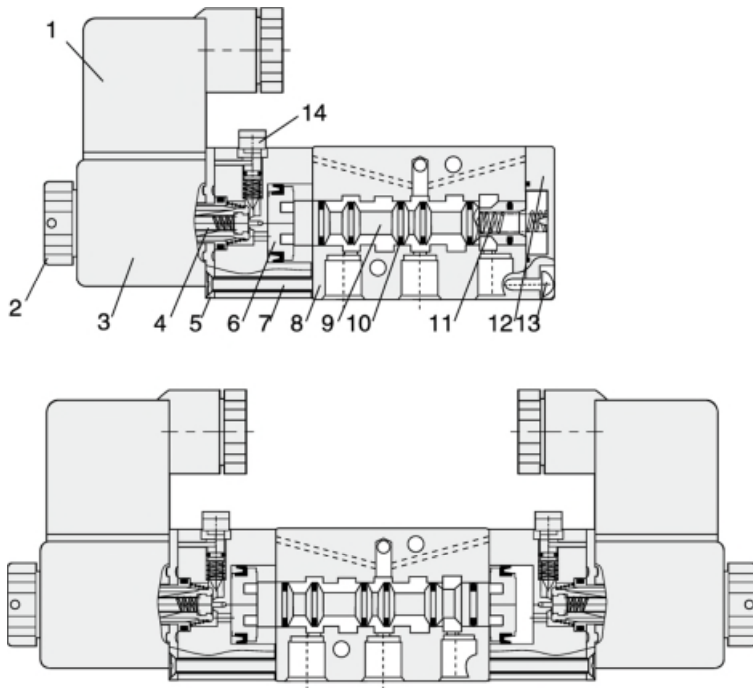
- Life cycle; guaranteed 20 million cycles under normal working conditions at 40µ filtration
- Different surface treatment, thread types as BSPP, BSPT, NPT are available

SPECIFICATIONS

Model N°	V5211-M5M	V5212-M5M	V5211-06M	V5212-06M
Working medium	Clean air 40µ filtration			
Acting Type	Pilot Operated			
Flow (NI/min)	300		660	
Port size	M5: In/Out Exhaust= G1/8" 06: In/Out= G1/8" & Exhaust= G1/8"			
Lubrication	Not required			
Working Pressure	Min. 1.5 – Max. 8			
Guaranteed Pressure	12 Bar			
Working Temp. (C°)	Min -5 C°, Max. 60 C°			
Voltage Range	-15% +10%			
Power consumption	AC= 3VA, DC= 2.8 Watt			
Insulation Class	Class F			
Protective class	IP65 (DIN40050)			
Max. Acting frequency	4 cycles/s			
Activation time (S)	<0.05			
Weight (g)	113	176	113	176

V-Series Namur Solenoid Valves 5/2

Internal Structure



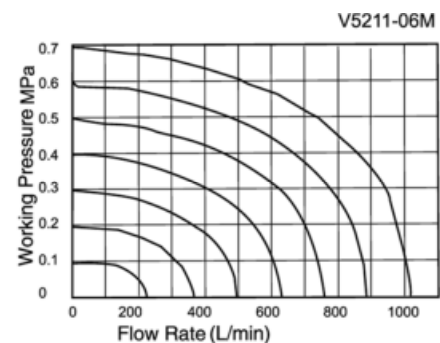
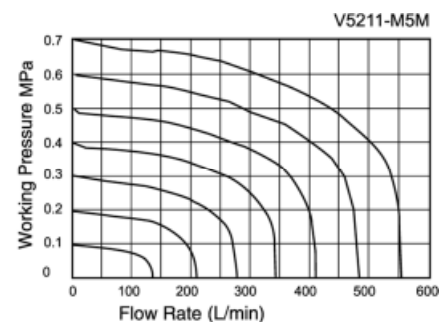
N°	Description
1	Connector
2	Nut
3	Coil
4	Pilot units
5	Plate
6	Piston
7	Screw
8	Valve body
9	Spool
10	O-ring
11	Spring
12	Rear cover
13	Screw
14	Manual override

Main Parts Material

Part name	Material
Valve body	Aluminum alloy
Spool	Aluminum alloy
Manual override O-ring	NBR
Connector washer	NBR
Spool O-ring	HNBR
Seal	NBR
Piston	POM
Manual override	Plastic
Plate	Steel
Nut	POM + Carbon steel
Rear cover	Zink alloy
Manual override spring	Stainless steel
Spool spring	Stainless steel
Screw	Steel
Pilot unit	Pure steel + Cu + Stainless steel
Connector	Engineered plastic

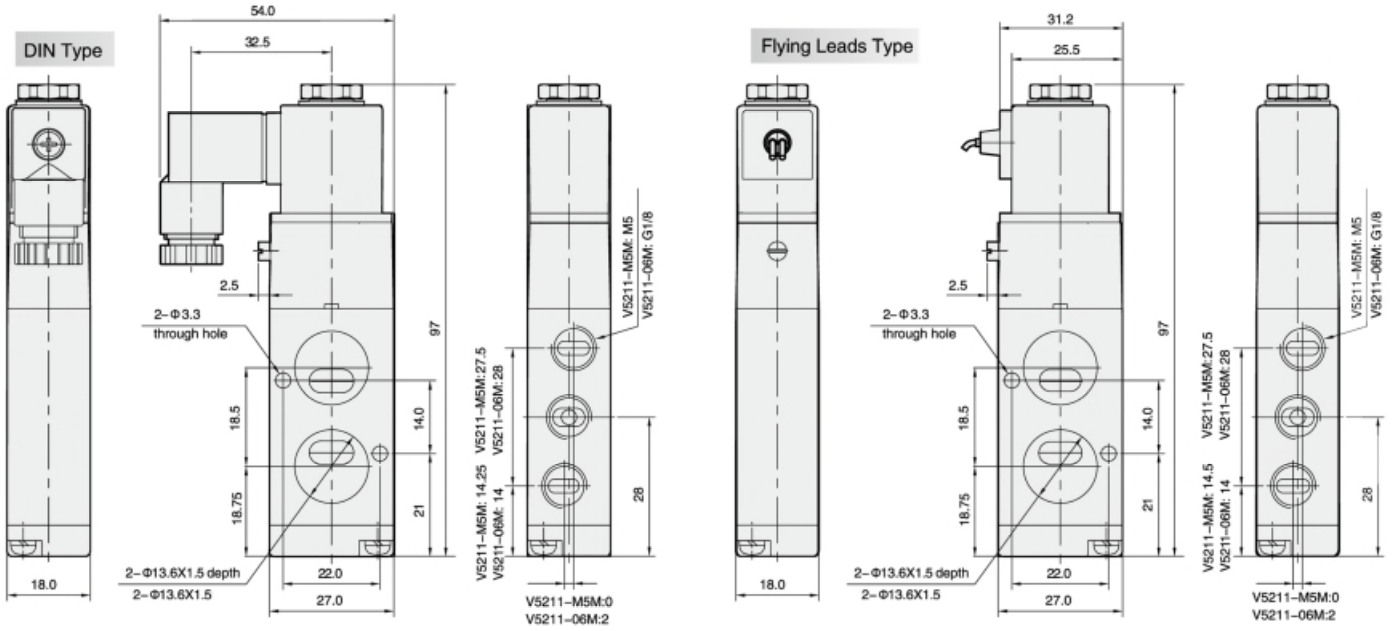
Flow Chart

0,1 MPA = 1 Bar

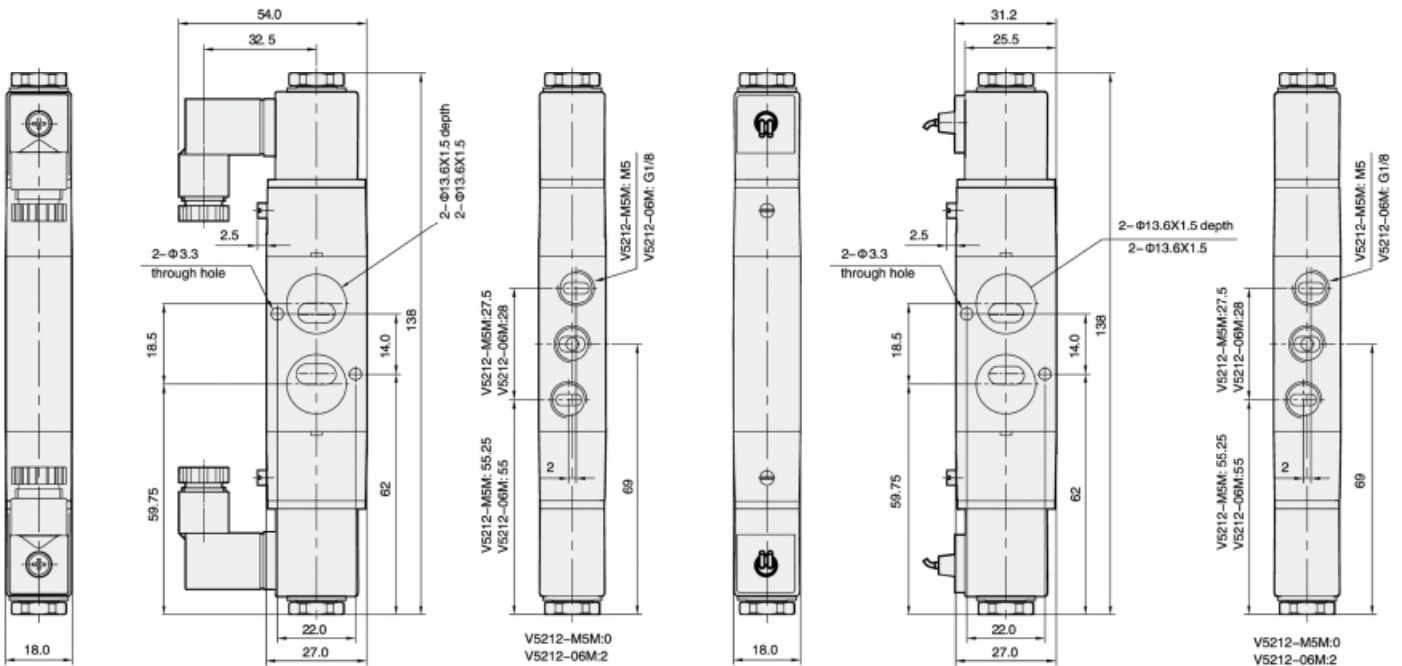


V-Series Namur Solenoid Valves 5/2

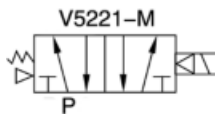
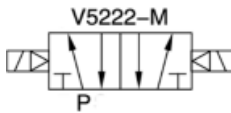
V5211-M



V5212-M



V-Series Namur Solenoid Valves 5/2

Type:	V5221-M
Symbol:	
Type:	V5222-M
Symbol:	



Ordering information

V	5	2	2	1	E2	06	Connector	M
V-Series	5= 5 ports	2 positions	1/4" valve body	1= single acting 2= double acting	E1= 110 AC E2= 220 AC E3= 380 AC E4= 24 DC E5= 12 DC E7= 24AC E8= 110 DC E9= 48 DC	Port size 06= 1/8" 08= 1/4"	DIN F= Flying leads	Namur Valves

Example:

V series, Namur, solenoid valve, 5 port, 2 positions, 1/4" valve body, single acting, 110VAC, 1/8" port size, DIN coil = V5221E1-06M

Product features:

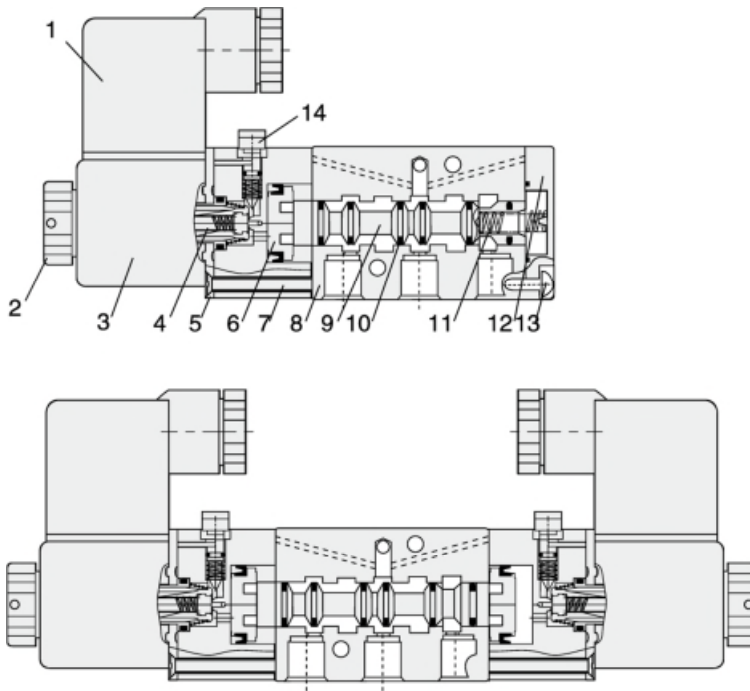
- Life cycle; guaranteed 20 million cycles under normal working conditions at 40µ filtration
- Different surface treatment, thread types as BSPP, BSPT, NPT are available

SPECIFICATIONS

Model N°	V5221-06M	V5222-06M	V5221-08M	V5222-08M
Working medium	Clean air 40µ filtration			
Acting Type	Pilot Operated			
Flow (NI/min)	300		660	
Port size	M5: In/Out Exhaust= G1/8" 06: In/Out= G1/8" & Exhaust= G1/8"			
Lubrication	Not required			
Working Pressure	Min. 1.5 – Max. 8			
Guaranteed Pressure	12 Bar			
Working Temp. (C°)	Min -5 C°, Max. 60 C°			
Voltage Range	-15% +10%			
Power consumption	AC= 3VA, DC= 2.8 Watt			
Insulation Class	Class F			
Protective class	IP65 (DIN40050)			
Max. Acting frequency	4 cycles/s			
Activation time (S)	<0.05			
Weight (g)	208	316	208	316

V-Series Namur Solenoid Valves 5/2

Internal Structure



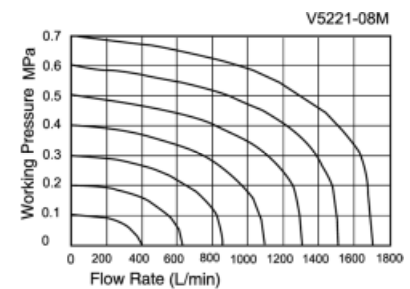
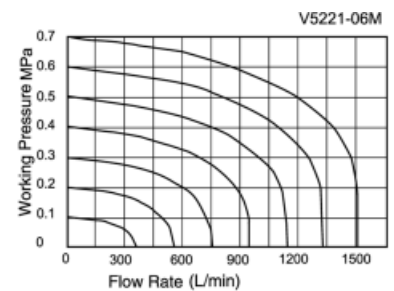
N°	Description
1	Connector
2	Nut
3	Coil
4	Pilot units
5	Plate
6	Piston
7	Screw
8	Valve body
9	Spool
10	O-ring
11	Spring
12	Rear cover
13	Screw
14	Manual override

Main Parts Material

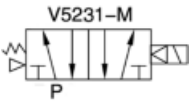
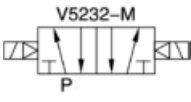
Part name	Material
Valve body	Aluminum alloy
Spool	Aluminum alloy
Manual override O-ring	NBR
Connector washer	NBR
Spool O-ring	HNBR
Seal	NBR
Piston	POM
Manual override	Plastic
Plate	Steel
Nut	POM + Carbon steel
Rear cover	Zink alloy
Manual override spring	Stainless steel
Spool spring	Stainless steel
Screw	Steel
Pilot unit	Pure steel + Cu + Stainless steel
Connector	Engineered plastic

Flow Chart

0,1 MPa = 1 Bar



V-Series Namur Solenoid Valves 5/2

Type:	V5231-M
Symbol:	
Type:	V5232-M
Symbol:	



Ordering information

V	5	2	3	1	E2	06	Connector	M
V-Series	5= 5 ports	2 positions	3/8" valve body	1= single acting 2= double acting	E1= 110 AC E2= 220 AC E3= 380 AC E4= 24 DC E5= 12 DC E7= 24AC E8= 110 DC E9= 48 DC	Port size 08= 1/4" 10= 3/8"	DIN F= Flying leads	Namur Valves

Example:

V series, Namur, solenoid valve, 5 port, 2 positions, 3/8" valve body, single acting, 110VAC, 3/8" port size, DIN coil = V5231E1-10M

Product features:

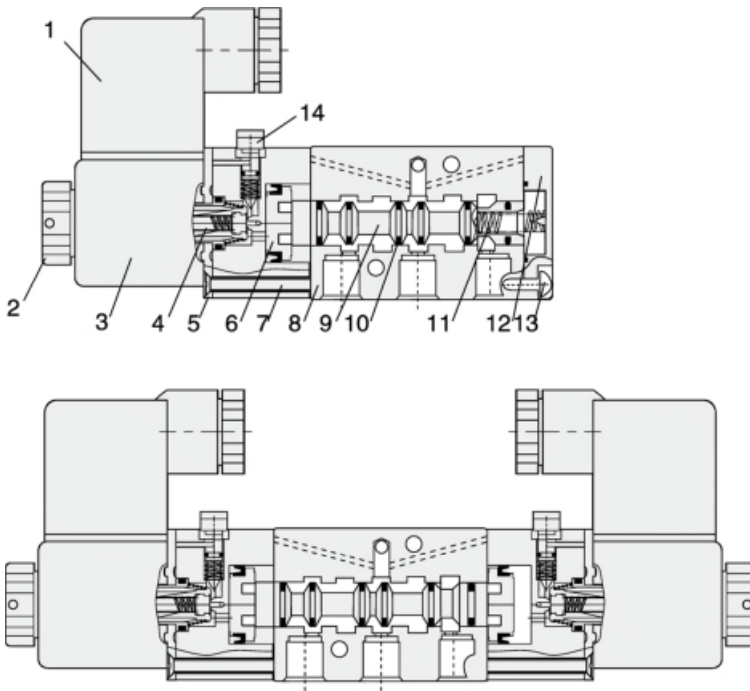
- Life cycle; guaranteed 20 million cycles under normal working conditions at 40µ filtration
- Different surface treatment, thread types as BSPP, BSPT, NPT are available

SPECIFICATIONS

Model N°	V5221-06M	V5222-06M	V5221-08M	V5222-08M
Working medium	Clean air 40µ filtration			
Acting Type	Pilot Operated			
Flow (Nl/min)	300		660	
Port size	M5: In/Out Exhaust= G1/8" 06: In/Out= G1/8" & Exhaust= G1/8"			
Lubrication	Not required			
Working Pressure	Min. 1.5 – Max. 8			
Guaranteed Pressure	12 Bar			
Working Temp. (C°)	Min -5 C°, Max. 60 C°			
Voltage Range	-15% +10%			
Power consumption	AC= 3VA, DC= 2.8 Watt			
Insulation Class	Class F			
Protective class	IP65 (DIN40050)			
Max. Acting frequency	4 cycles/s			
Activation time (S)	<0.05			
Weight (g)	208	316	208	316

V-Series Namur Solenoid Valves 5/2

Internal Structure



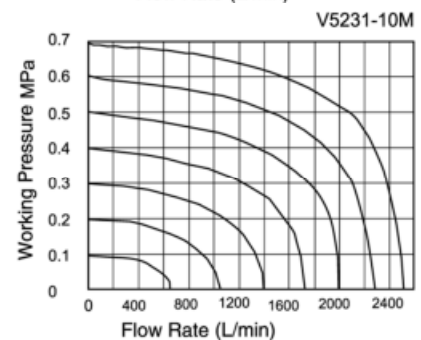
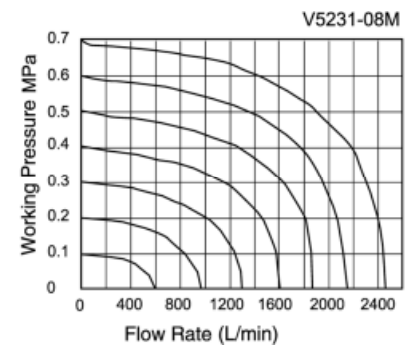
N°	Description
1	Connector
2	Nut
3	Coil
4	Pilot units
5	Plate
6	Piston
7	Screw
8	Valve body
9	Spool
10	O-ring
11	Spring
12	Rear cover
13	Screw
14	Manual override

Main Parts Material

Part name	Material
Valve body	Aluminum alloy
Spool	Aluminum alloy
Manual override O-ring	NBR
Connector washer	NBR
Spool O-ring	HNBR
Seal	NBR
Piston	POM
Manual override	Plastic
Plate	Steel
Nut	POM + Carbon steel
Rear cover	Zink alloy
Manual override spring	Stainless steel
Spool spring	Stainless steel
Screw	Steel
Pilot unit	Pure steel + Cu + Stainless steel
Connector	Engineered plastic

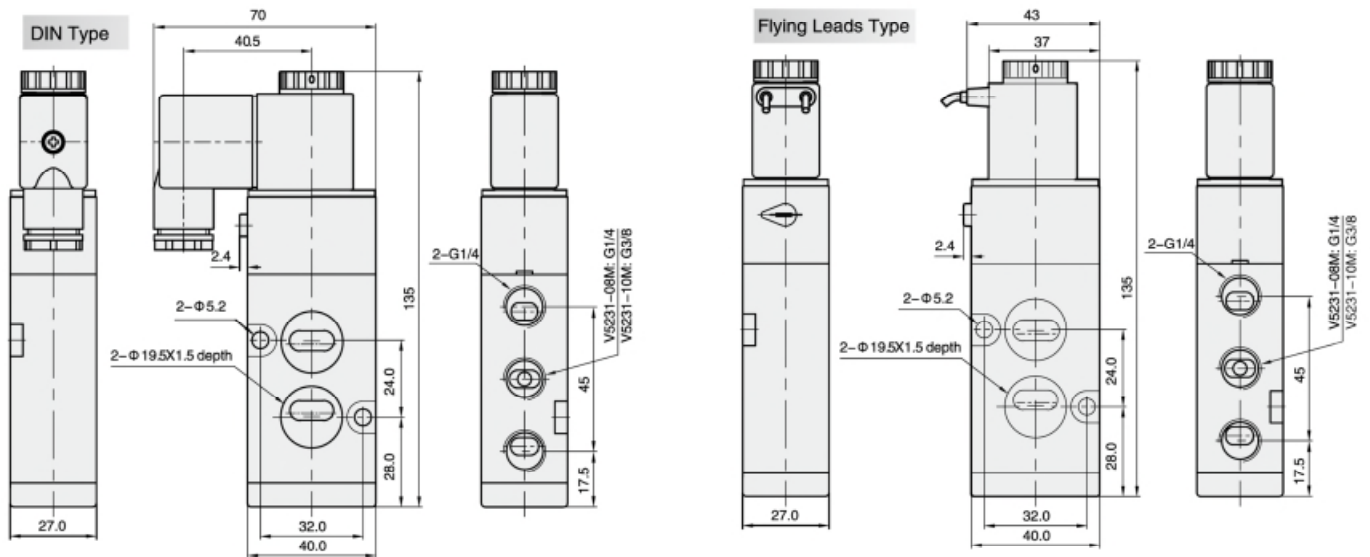
Flow Chart

0,1 MPa = 1 Bar

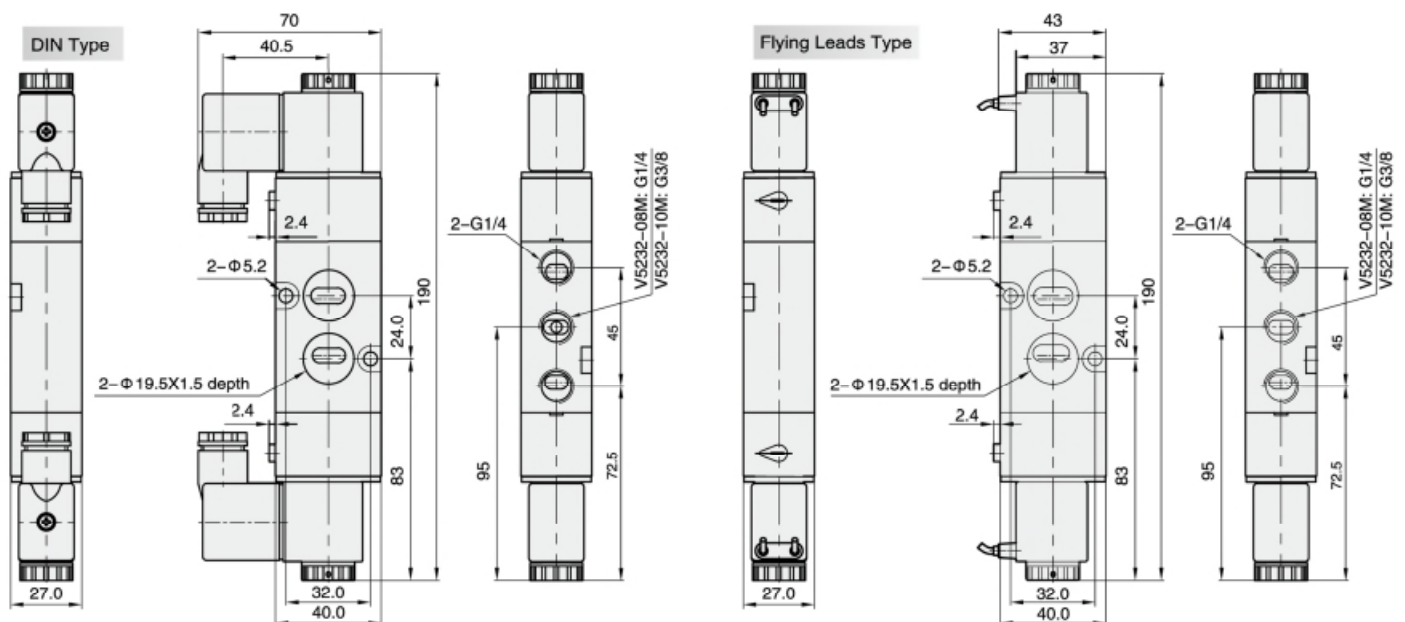


V-Series Namur Solenoid Valves 5/2

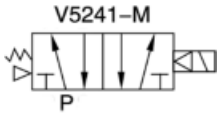
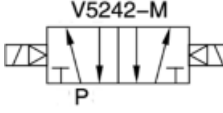
V5231-M



V5232-M



V-Series Namur Solenoid Valves 5/2

Type:	V5241-M
Symbol:	
Type:	V5242-M
Symbol:	



Ordering information

V	5	2	4	1	E2	10	Connector	M
V-Series	5= 5 ports	2 positions	1/2" valve body	1= single acting 2= double acting	E1= 110 AC E2= 220 AC E3= 380 AC E4= 24 DC E5= 12 DC E7= 24AC E8= 110 DC E9= 48 DC	Port Size 10= G3/8" 15= G1/2"	DIN F= Flying leads	Namur Valves

Example:

V series, Namur, solenoid valve, 5 port, 2 positions, 1/2" valve body, single acting, 110VAC, 1/2" port size, DIN coil = V5214E1-15M

Product features:

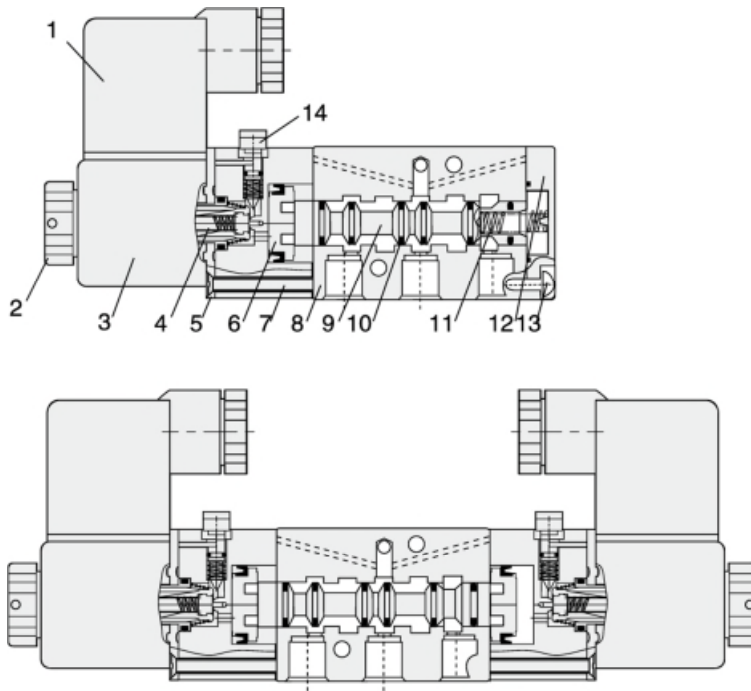
- Life cycle; guaranteed 20 million cycles under normal working conditions at 40µ filtration
- Different surface treatment, thread types as BSPP, BSPT, NPT are available

SPECIFICATIONS

Model N°	V5241-10M	V5242-10M	V5241-15M	V5242-15M
Working medium	Clean air 40µ filtration			
Acting Type	Pilot Operated			
Flow (NI/min)	2700		1640	
Port size	G1/4"= In/Out Exhaust= G3/8"		G1/2"= In/Out/Exhaust	
Lubrication	Not required			
Working Pressure	Min. 1.5 – Max. 8			
Guaranteed Pressure	12 Bar			
Working Temp. (C°)	Min -5 C°, Max. 60 C°			
Voltage Range	-15% +10%			
Power consumption	AC= 5.5VA, DC= 4.8 W			
Insulation Class	Class F			
Protective class	IP65 (DIN40050)			
Max. Acting frequency	4 cycles/s			
Activation time (S)	<0.05			
Weight (g)	533	666	533	666

V-Series Namur Solenoid Valves 5/2

Internal Structure

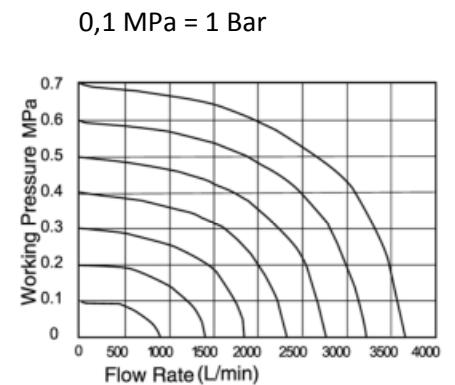


N°	Description
1	Connector
2	Nut
3	Coil
4	Pilot units
5	Plate
6	Piston
7	Screw
8	Valve body
9	Spool
10	O-ring
11	Spring
12	Rear cover
13	Screw
14	Manual override

Main Parts Material

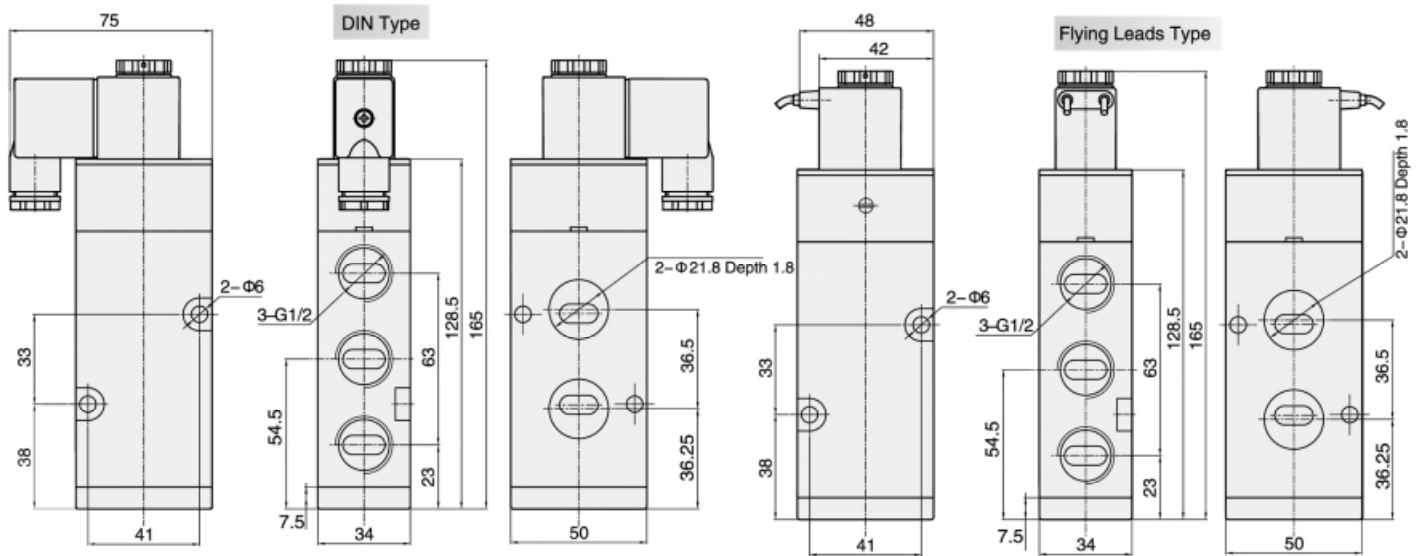
Part name	Material
Valve body	Aluminum alloy
Spool	Aluminum alloy
Manual override O-ring	NBR
Connector washer	NBR
Spool O-ring	HNBR
Seal	NBR
Piston	POM
Manual override	Plastic
Plate	Steel
Nut	POM + Carbon steel
Rear cover	Zink alloy
Manual override spring	Stainless steel
Spool spring	Stainless steel
Screw	Steel
Pilot unit	Pure steel + Cu + Stainless steel
Connector	Engineered plastic

Flow Chart



V-Series Namur Solenoid Valves 5/2

V5241-M



V5242-M

